

Maximal Rough Terrain Forklift Introduction

2WD

Strong flexibility
in rough terrain

100% differential lock.



Compact 4WD

Maximal original
product replenished
Rough Terrain fields



4WD

Superior performance
in extreme conditions

Traditional technology while
imported key components:
DANA integrated trans-axle,
Sauer Danfoss hydrostatic
system, tilting cabin.



Patented self-designed axle &
transmission, compact size meet
with European standard.

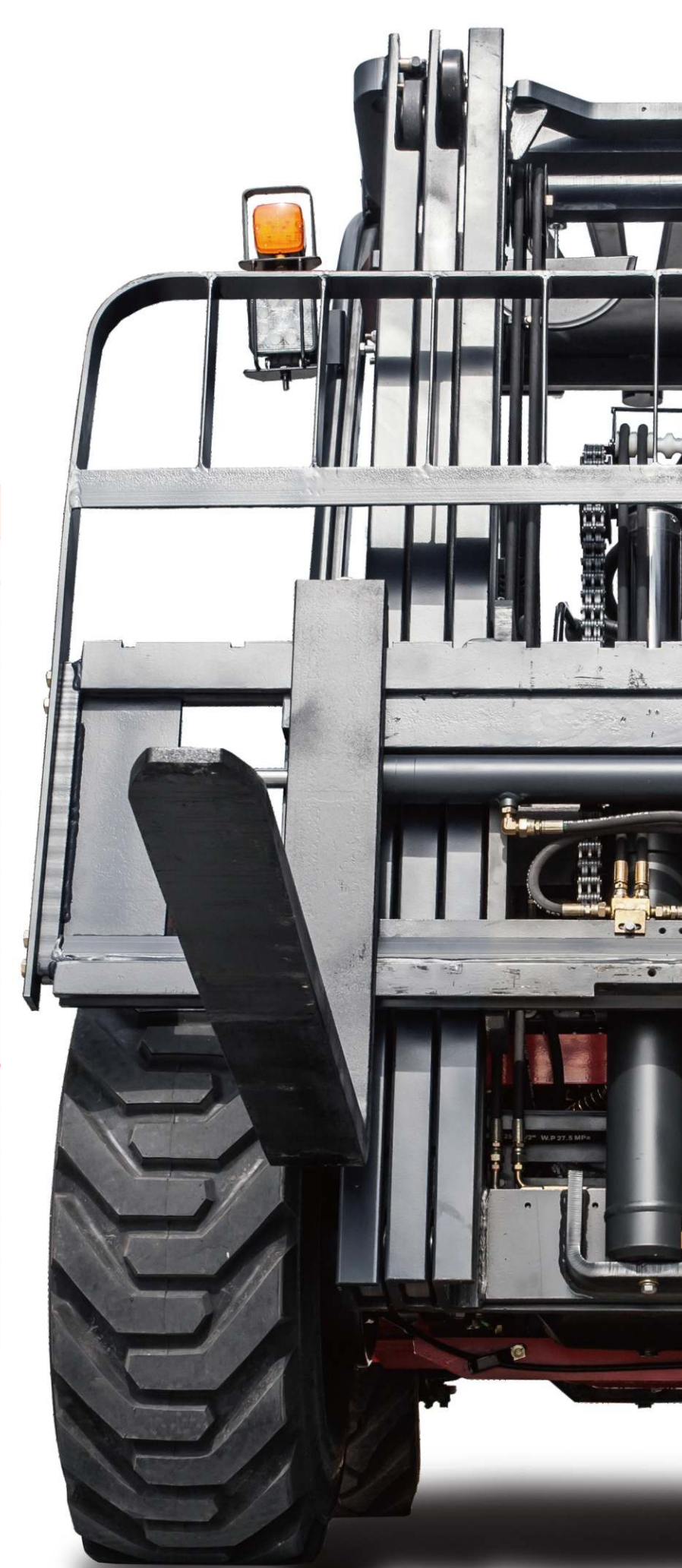
Our Solution, Your Decision



ul. Towarowa 18, 62-052 Komorniki k/Poznania
 ☎ +48 61 66 46 900 ✉ info@lgsmaximal.pl

	2WD				Compact 4WD			4WD		
YES ● / NO ●	1.8T	2.5T	3.5T	5T	1.8T	2.5T	3.5T	2.5T	3.5T	
Body	Floated Overhead Guard		●			●		●		
	4WD-2WD Rocker Switch		—			●		●		
	Industrial Tyres (F/R)	● / ●	● / ●	● / ●	● / ●	● / ●	● / ●	● / ●	● / ●	
	Suspension Pedal			●		●		●		
	Truck Width (mm)	1450	1557.5	1600	2067	1450	1450	1600	1980	1980
	Loaded into 20GP Container	●	●	●	●	●	●	●	●	●
	External Type Steering Cylinder		●			●		●		
	With Prefilter		●			●		●		
	LED Lights		Standard			Standard		Standard		
	Safety Start System*		Standard			Standard		Standard		
	Suspension Seat		Option			Option		Standard		
	OPS system		Option			Option		Option		
	Performance	Engine	YANMAR 4TNE98/MITSUBISHI S4S		YANMAR 4TNE98	ISUZU 6BG1QC	YANMAR 4TNE98 / MITSUBISHI S4S / MITSUBISHI D04EG			YANMAR 4TNE98
Gradeability		20%	20%	16%	30%	80%/60%	50%	45%	38%	38%
Gradient		11.3°	11.3°	9°	16.7°	38.6°/31°	26.5°	24.2°	20.8°	20.8°
Min. Turning Radius(mm)		2840	2870	2870	3550	3120	3120	3120	4275	4295
Transmission Model		Hydraulic				Hydraulic			Hydrostatic	
Differential Lock Type		Jaw Type Differential Lock				Limited Slip Differential Lock			Limited Slip Differential Lock	
Differential Ratio		100%				45%			45%	

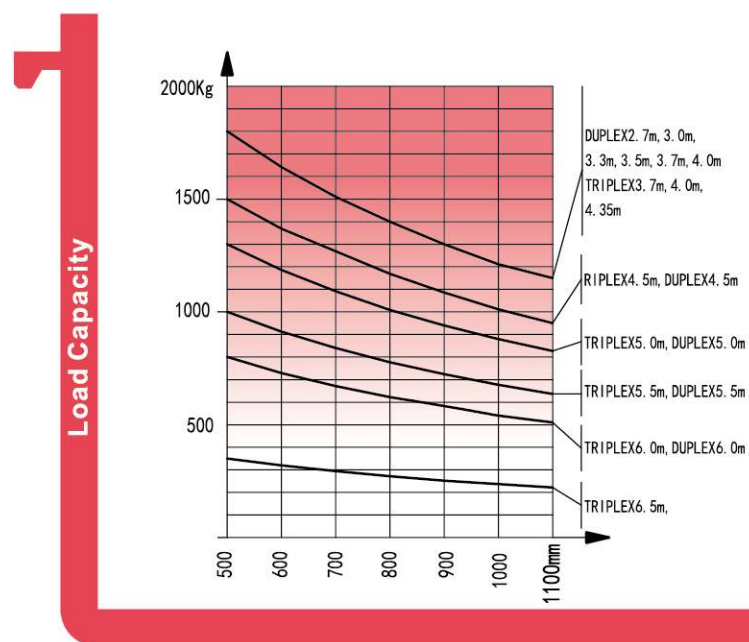
Safety Start System* The truck can't start if any below: 1-operator leaves the seat, 2-seatbelt unfastened, 3-hand brake released, 4-not in N position.



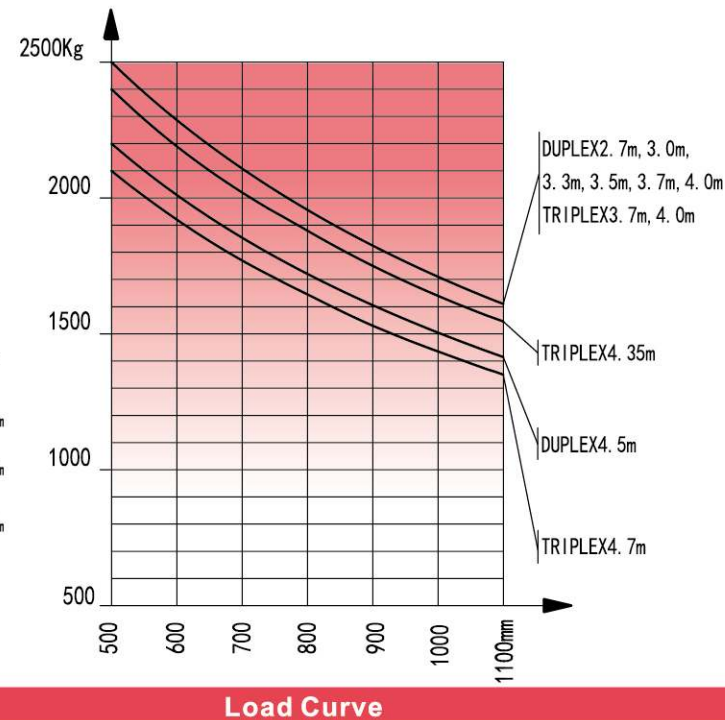
Mast Specification

 **LGS maximal** ul. Towarowa 18, 62-052 Komorniki k/ Poznania ☎ +48 61 66 46 900 ✉ info@lgsmaximal.pl

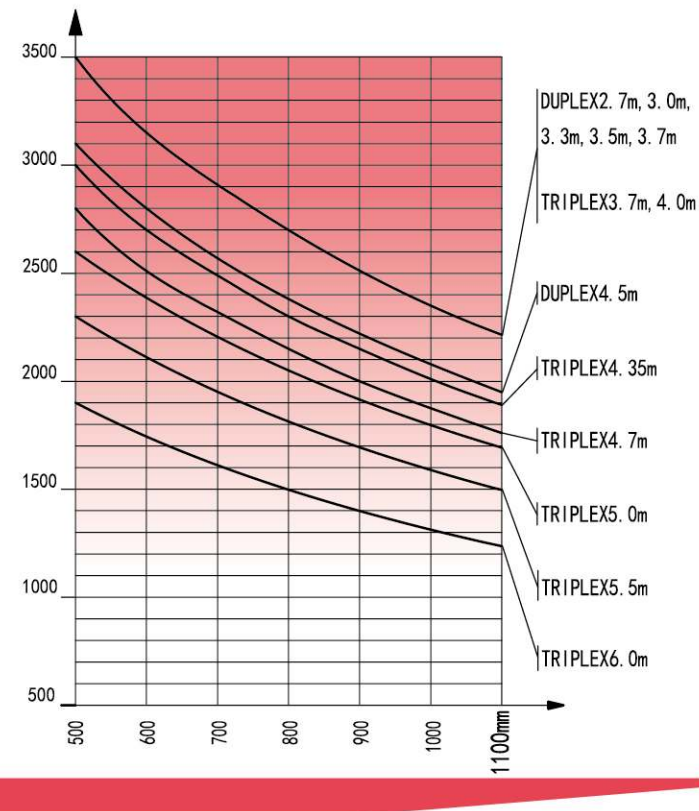
Type	Model	Max. fork height mm	Overall height			Free lift						Front Overhang			Tilt range		Capacity at max. height Loand Center 500mm					
			Lowered			With backrest			Without backrest			1.8T	2.5T	3.5T	FWD Deg	BWD Deg	Without side shift carriage			With side shift carriage		
			1.8T	2.5T	3.5T	1.8T	2.5T	3.5T	1.8T	2.5T	3.5T	1.8T	2.5T	3.5T			1.8T	2.5T	3.5T	1.8T	2.5T	3.5T
			mm	mm	mm	mm	mm	mm	mm	mm	mm	mm	mm	mm	mm	mm	mm	mm	mm	mm	mm	mm
wide view 2-stage mast	M330	3300	2298	2385	2480	105	160	165	105	160	165	509	585	600	10°	12°	1800	2500	3500	1800	2500	3200
	M350	3500	2398	2485	2580	105	160	165	105	160	165	509	585	600	10°	12°	1800	2500	3500	1800	2500	3200
	M370	3700	2498	2585	2680	105	160	165	105	160	165	509	585	600	10°	12°	1800	2500	3500	1800	2500	3200
	M400	4000	2698	2785	2880	105	160	165	105	160	165	509	585	600	10°	12°	1800	2500	3400	1800	2500	3100
	M450	4500	2948	3035	3130	105	160	165	105	160	165	509	585	600	10°	12°	1500	2200	3100	1400	2100	2900
	M500	5000	3198	—	—	105	—	—	105	—	—	509	—	—	6°	6°	1300	—	—	1200	—	—
	M550	5500	3498	—	—	105	—	—	105	—	—	509	—	—	6°	6°	1000	—	—	900	—	—
Full free 3-stage mast	M600	6000	3748	—	—	105	—	—	105	—	—	509	—	—	6°	6°	800	—	—	400	—	—
	TFM400	4000	2033	2080	2205	850	888	890	1230	1333	1336	509	590	620	10°	12°	1800	2500	3400	1800	2400	3100
	TFM435	4350	2158	2205	2330	980	1013	1015	1360	1458	1461	509	590	620	10°	12°	1800	2400	3000	1600	2200	2900
	TFM450	4500	2208	—	—	1030	—	—	1410	—	—	509	—	—	10°	12°	1500	—	—	1400	—	—
	TFM470	4700	—	2320	2445	—	1128	1130	—	1573	1576	—	590	620	—	—	—	2100	2800	—	1900	2500
	TFM500	5000	2408	2455	2580	1230	1263	1265	1610	1708	1710	509	590	620	6°	6°	1300	1900	2600	1200	1600	2300
	TFM550	5500	2573	2620	2745	1390	1428	1430	1770	1873	1875	509	590	620	6°	6°	1000	1500	2300	900	1200	2100
	TFM600	6000	2758	2805	2930	1580	1613	1615	1960	2058	2060	509	590	620	6°	6°	800	1200	1900	400	800	1600
TFM650	6500	2973	3020	3145	1790	1828	1830	2180	2273	2275	509	590	620	6°	6°	350	700	1300	200	400	1100	



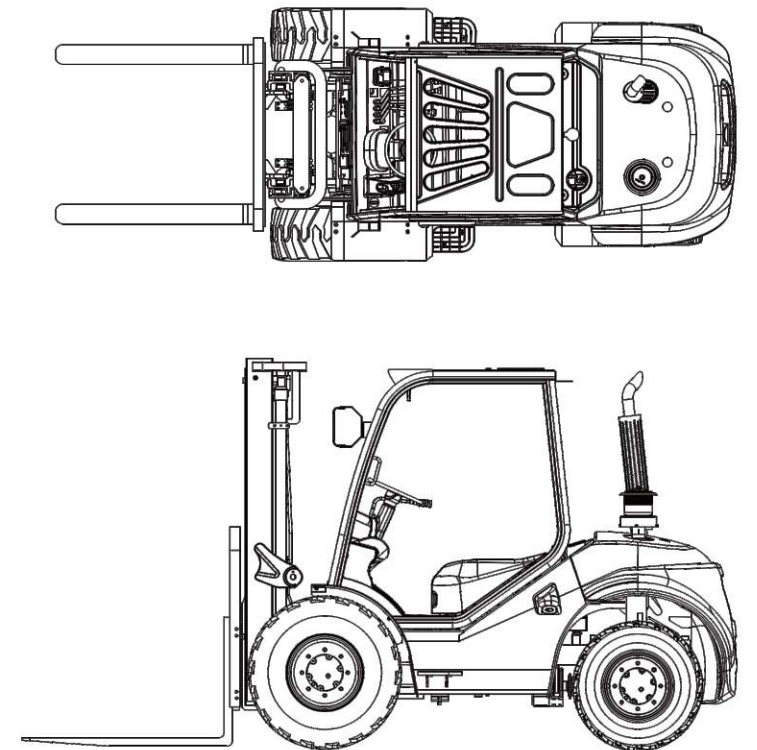
1.8T Load Chart



2.5T Load Chart



3.5T Load Chart



Forklift Specification

2WD 1.8T/2.5T/3.5T								
General	1	Model	FD18T-C2WE3	FD25T-C2WE3	FD35T-C2WE3			
	2	Power type	Diesel					
		Optional type	WV3					
	3	Rated capacity	Kg	1800	2500	3500		
Characteristic&Dimension	4	Load centre	mm	500	500	500		
	5	Lifting height	mm	3000	3000	3000		
	6	Free lift	mm	105	160	165		
	7	Fork size	L×W×T	mm	1070 × 100 × 35	1070 × 122 × 40	1070 × 125 × 45	
	8	Fork regulating range	Min./Max.	mm	200-1315	250-1160	250-1160	
	9	Mast tilt angle	F/R	Deg	10/12	10/12	10/12	
	10	Front overhang	mm	509	586	601		
	11	Rear overhang	mm	520	520	520		
	12	Min.ground clearance(drive steer axle)	mm	270	270	270		
	Overall dimensions	13	Length to face of fork (without fork)	mm	2910	2946	2956	
		14	Overall width	mm	1440	1557.5	1600.5	
		15	Mast lowered height	mm	2148	2265	2330	
		16	Mast extended height (with backrest)	mm	4150	4175	4305	
		17	Overhead guard height	mm	2256.5	2256.5	2276	
	18	Turning radius	mm	2840	2870	2870		
	Min. right angle stacking aisle width	19	Pallet size a ₁₂ =1000,b ₁₂ =1200	mm	4550	4726	4741	
		19	Pallet size a ₁₂ =1200,b ₁₂ =800	mm	4350	4856	4871	
	Performance	20	Min. right angle stacking aisle width(pallet size a ₁₂ =1200,b ₁₂ =1200)	mm	2560	2870	2870	
		Speed	21	Travel(Laden/Unladen)	Km/h	20/19	20/18	22/22(WE3)/20/18(WV3)
22			Lifting(Laden)	mm/sec	610(WE3)/590(WV3)	570(WE3)/480(WV3)	450(WE3)/385(WV3)	
23			Lowering(Laden)	mm/sec	450	450	450	
24	Max. Drawbar pull(Laden)	KN	15	17(WE3)/15(WV3)	17(WE3)/15(WV3)			
Tyre	25	Max. Gradeability(Laden)	%	20	20	16		
	Tyre	26	Front		12-16.5-12PR	12-16.5-12PR	14-17.5-14PR	
		27	Rear		27 × 10-12-12PR	27 × 10-12-12PR	27 × 10-12-12PR	
	Tread	28	Front	mm	1125	1250.5	1250.5	
29		Rear	mm	1185	1205	1205		
Weight	30	Wheelbase	mm	1880	1880	1880		
	31	Self weight	kg	3700	4465	5180		
	Weight Distribution	Laden	32	Front axle	kg	4730	5990	7725
			33	Rear axle	kg	770	975	955
		Unladen	34	Front axle	kg	1480	1785	2070
35			Rear axle	kg	2220	2680	3110	
36	Battery	V/Ah	12/90					
Power&Transmission	Engine	37	Model	4TNE98-BQFLC	S4S-455			
		38	Manufacture	YANMAR	MITSUBISHI			
		39	Rated output/r.p.m.	Kw	42.1/2300	35.3/2300		
		40	Rated torque/r.p.m.	N.m	186-206/1700	170 ± 8/1700		
		41	No. of cylinder		4	4		
		42	Bore×Stroke	mm	98 × 110	94 × 120		
	43	Displacement	L	3.318	3.331			
	44	Fuel tank capacity	L	55	55			
	Transmission	45	Manufacture	China				
		46	Type	YQXD30MKS	YQXD30MKS	YQXD40MKS		
	47	Stage	F/R	1/1				
48	Operating pressure	Mpa	20					



LGS maximal

ul. Towarowa 18, 62-052 Komorniki/Poznania

+48 61 66 46 900

info@lgsmaximal.pl

Compact 4WD 1.8T/2.5T/3.5T								
General	1	Model		FD18T-C4WE3	FD25T-C4WE3	FD35T-C4WE3		
	2	Power type		Diesel				
		Optional type		WV3/W(6)3				
	3	Rated capacity	kg	1800	2500	3500		
Characteristic&Dimension	4	Load centre	mm	500	500	500		
	5	Free lift height	mm	3000	3000	3000		
	6	Free lift	mm	105	160	165		
	7	Fork size	L×W×T	mm	1070×100×35	1070×122×40	1220×122×45	
	8	Fork regulating range	Min./Max.	mm	200-1315	250-1310	250-1500	
	9	Mast tilt angle	F/R	Deg	10/12	10/12	10/12	
	10	Front overhang	mm	520	586	601		
	11	Rear overhang	mm	600	600	600		
	12	Min.ground clearance(drive steering axle)	mm	219	219	219		
		Min.ground clearance(chassis) (Unladen/Laden)	mm	230/215	230/215	224/230		
		Min.ground clearance(mast) (Unladen/Laden)	mm	275/250	270/255	270/250		
		Ground clearance (drawbar pin)	mm	354.5	354.5	430		
		Height from seat surface to overhead guard inner side	mm	990	990	1043		
	Overall dimensions	13	Length to face of fork (without fork)	mm	3000	3056	3081	
		14	Overall width	mm	1450	1450	1600	
		15	Mast lowered height	mm	2145	2235	2330	
		16	Mast extended height (with backrest)	mm	4140	4175	4305	
		17	Overhead guard height	mm	2256	2256	2276	
	18	Turning radius	mm	3120	3120	3120		
	Min. right angle stacking aisle width	19	Pallet size a ₁₂ =1000,b ₁₂ =1200	mm	4629	4706	4921	
19		Pallet size a ₁₂ =1200,b ₁₂ =800	mm	4829	4906	4871		
20	Min. right angle stacking aisle width(pallet size a ₁₂ =1200,b ₁₂ =1200)	mm	2670	2670	2725			
Performance	Speed	21	Type	WV3/W(6)3	WE3	WV3/W(6)3	WE3	
		21	Travel(Unladen/Laden)	km/h	18/17	20/19	18/17	19/18
		22	Lifting(Unladen/Laden)	mm	630/590	640/610	620/570	650/600
		23	Lowering(Unladen/Laden)	mm	420/450	420/450	510/450	510/450
	24	Max. Drawbar pull(Unladen/Laden)	KN	31	38	38	38	
25	Max. Gradeability(Unladen/Laden)	%	50	80	50	50		
Tyre	Braking distance	26	Front	m				
		26	Rear	≤6				
	Tyre	27	Front	12-16.5-12PR		12-16.5-12PR		14-17.5L-14PR
		27	Rear	10.0/75-15.3		10.0/75-15.3		10.0/75-15.3
	28	Tyre pressure(Front/Rear)	MPa	0.62/0.55		0.55/0.55		
Tread	28	Front	mm	1123	1123	1250		
	29	Rear	mm	1190	1190	1190		
	Ground clearance (Front tyre centre)(Unladen/Laden)	mm	405.5/385	405.5/385	450.5/425			
	Ground clearance (Rear tyre centre)(Unladen/Laden)	mm	370/350	370/350	370/385			
Weight	30	Wheelbase	mm	1880	1880	1880		
	31	Self weight	kg	4255	4830	5545		
	Weight Distribution	Laden	32	Front Axle	kg	4602	6597	7872
			33	Rear Axle	kg	1453	733	1073
		Unladen	34	Front Axle	kg	1702	2173	2345
35			Rear Axle	kg	2553	2657	3100	
36	Battery	V/Ah	12/90					
Power&Transmission	Engine	37	Model	S4S	D04EG	4TNE98-BQFLC		
		38	Manufacture	MITSUBISHI	MITSUBISHI	YANMAR		
		39	Rated output/r.p.m.	Kw	35.3/2250	36/2250	42.1/2300	
		40	Rated torque/r.p.m.	N.m	182/1800	177/1800	186-206/1700	
		41	No. of cylinder		4	4	4	
		42	Bore×Stroke	mm	94×120	94×120	98×110	
	43	Displacement	L	3.31	3.331	3.318		
	44	Fuel tank capacity	L	55				
	Transmission	45	Manufacture	China				
		46	Type	FSDT35I				
	47	Stage	F/R	2/1				
48	Operating pressure	MPa	16.5	20	20			

Forklift Specification

Mast Specification

4WD 2.5T/3.5T							
General	1	Model		FD25J-C4WE	FD35J-C4WE		
	2	Power type		diesel	diesel		
	3	Rated capacity	Kg	2500	3500		
	4	Load centre	mm	500	500		
Characteristic&Dimension	5	Lift height	mm	3000	3000		
	6	Free lift height	mm	160	165		
	7	Fork size	L×W×T	1070×125×40	1220×125×45		
	8	Fork regulating range	Min./Max.	250-1560	250-1560		
	9	Mast tilt angle	F/R	10/12	10/12		
	10	Front overhang		mm	680	680	
	11	Rear overhang		mm	590	597	
	12	Min. ground clearance		mm	394.5	410	
	Overall dimensions	13	Length to face of fork (without fork)		mm	3182	3227
		14	Overall width		mm	1980	1980
		15	Mast lowered height		mm	2454	2470
		16	Mast extended height (with backrest)		mm	4270	4400
		17	Overhead guard height		mm	2250	2250
	18	Min. turning radius		mm	4275	4295	
	19	Min. right angle stacking aisle width(add load length and clearance)		mm	8375	8395	
Performance	20	Speed	Travel(Unladen)	Km/h	20	20	
	21		Lifting(Laden)	mm/s	540	450	
	22		Lowering(Laden)	mm/s	630	540	
	23	Max. Drawbar pull(Laden/unladen)		KN	34.3	34.3	
24	Max. Gradeability(Loaden)		%	38	38		
Tyre	25	Tyre	Front		405/70-20-14PR	405/70-20TL	
			Rear		10.0/75-15.3-14PR	10.0/75-15.3	
	26	Tread	Front	mm	1570	1570	
			Rear	mm	1440	1440	
27	Wheelbase		mm	1950	1950		
Weight	28		Self weight		kg	4900	5750
	30	Weight Distribution	Laden	Front axle	kg	6290	7990
				Rear axle	kg	1110	1260
			Unladen	Front axle	kg	2265	2450
Rear axle				kg	2635	3300	
Power&Transmission	33	Battery	Voltage/Capacity		V/Ah	12/90	
	34	Engine	Model			4TNE98-BQFLC	
	35		Manufacture			YANMAR	
	36		Rated output/r.p.m.	Kw	42.1/2300		
	37		Rated torque/r.p.m.	N.m	196.3/1700		
	38		No. of cylinder			4	
	39		Bore×Stroke		mm	98×110	
	40	Displacement		L	3.319		
	41	Fuel tank capacity		L	3.319		
	42	Transmission	Manufacture			DANA	
			Type	Front axle		112	
				Rear axle		211	
45	Transfer case			311			
46	Stage	F/R			1/1		
47	Static system pressure		Mpa	40			
48	Operating pressure(For attachments)		Mpa	20			
49	Min. right angle stacking aisle width		mm	2980	3000		



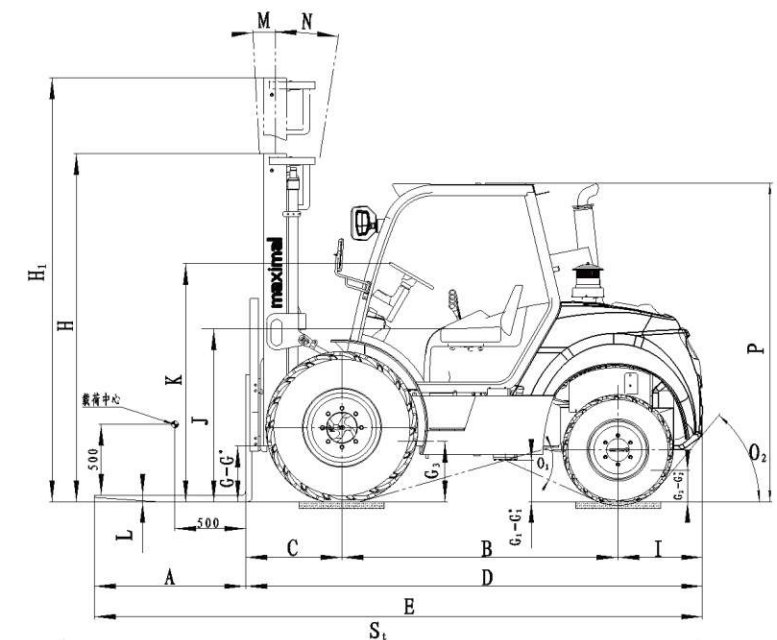
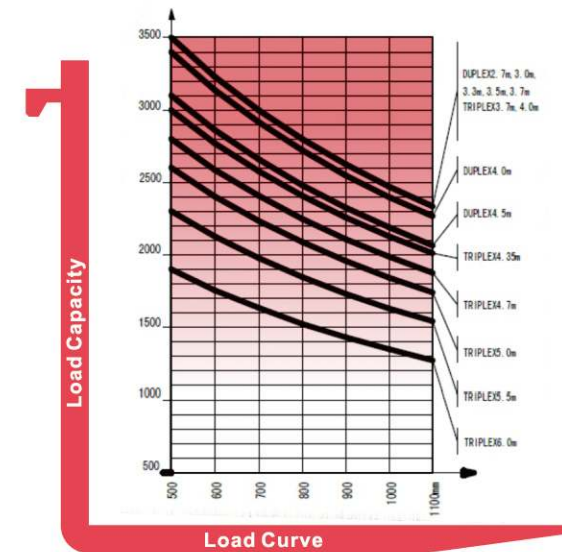
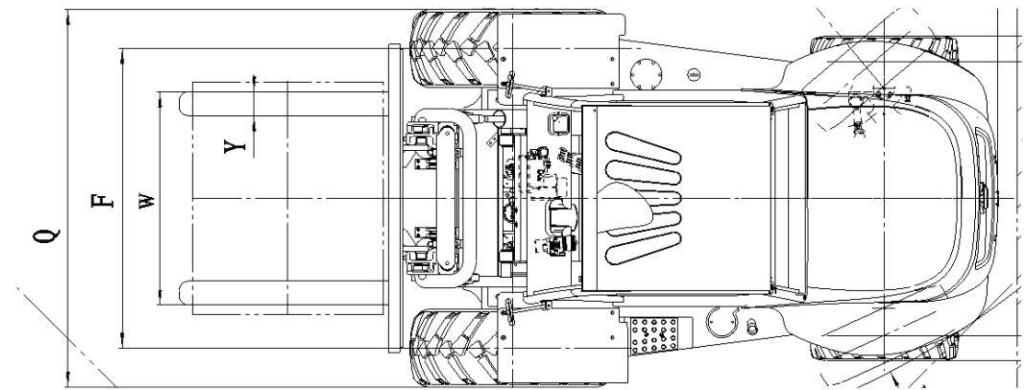
LGS maximal

ul. Towarowa 18, 62-052 Komorniki / Poznania

+48 61 66 46 900

info@lgsmaximal.pl

Type	Model	Overall height		Free lift				Front Overhang		Tilt range		Capacity			
		Lowered		With backrest		Without backrest		2.5T	3.5T	FWD	BWD	capacity at max. height			
		2.5T	3.5T	2.5T	3.5T	2.5T	3.5T					Without side shift carriage		With side shift carriage	
		mm	mm	mm	mm	mm	mm	mm	mm	Deg	Deg	kg	kg	kg	kg
wide view 2-stage mast	M270	2320	2320	165	165	165	165	700	700	10	12	3500	3500	3200	3200
	M330	2620	2620	165	165	165	165	700	700	10	12	3500	3500	3200	3200
	M350	2720	2720	165	165	165	165	700	700	10	12	3500	3500	3200	3200
	M370	2820	2820	165	165	165	165	700	700	10	12	3500	3500	3200	3200
	M400	3020	3020	165	165	165	165	700	700	10	12	3400	3400	3100	3100
Full free 3-stage mast	M450	3270	3270	165	165	165	165	700	700	10	12	3100	3100	2900	2900
	TFM370	2255	2255	798	798	1243	1243	700	700	10	12	3500	3500	3100	3100
	TFM400	2345	2345	888	888	1333	1333	700	700	10	12	3500	3500	3100	3100
	TFM435	2470	2470	1013	1013	1458	1458	700	700	10	12	3000	3000	2900	2900
	TFM470	2605	2605	1128	1128	1573	1573	700	700	10	12	2800	2800	2500	2500
	TFM500	2720	2720	1263	1263	1708	1708	700	700	6	6	2800	2800	2500	2500
TFM550	2885	2885	1428	1428	1873	1873	700	700	6	6	2500	2500	2300	2300	
TFM600	3070	3070	1613	1613	2058	2058	700	700	6	6	2100	2100	1800	1800	



Forklift Specification

Mast Specification

2WD 5T						
General	1	Model		FD50T-C2W (3) 3	FD50T-C2WF3	
	2	Power type		Diesel	Diesel	
	3	Rated capacity		Kg	5000	
	4	Load centre		mm	600	
Characteristic&Dimension	5	Lift height		mm	3000	
	6	Free lift height		mm	145	
	7	Fork size	L×W×T	mm	1220*150*55	
	8	Fork regulating range	Min./Max.	mm	300/1654	
	9	Mast tilt angle	F/R	Deg	15° /15°	
	10	Front overhang		mm	732	
	11	Rear overhang		mm	764	
	12	Ground clearance	Bottom of mast	mm	320	
	13	Overall dimensions	Length to face of fork (without fork)		mm	3622
	14		Overall width		mm	2067
	15		Mast lowered height		mm	2565
	16		Mast extended height (with backrest)		mm	4170
	17	Overhead guard height		mm	2545	
	18	Min. turning radius		mm	3550	
19	Min. right angle aisle width		mm	5700		
Performance	20	Speed	Travel(Unladen)	Km/h	20/19	
	21		Lifting(Laden)	mm/s	380	
	22		Lowering(Laden)	mm/s	370	
	23	Max. Drawbar pull(Laden)		KN	50	
24	Max. Gradeability(Laden)		%	20		
Tyre	25	Tyre	Front		445-65-22.5PR	
	26		Rear		12.5/80-18	
	26	Tread	Front	mm	1620	
	27		Rear	mm	1720	
27	Wheelbase		mm	2125		
Weight	28	Self weight		kg	8450	
	29	Axle distribution	Laden	Front axle	kg	11700
	30			Rear axle	kg	1750
	31		Unladen	Front axle	kg	3550
	32			Rear axle	kg	4900
Power&Transmission	33	Model		TCD 3.6 L4	6BG1QC	
	34	Manufacture		DEUTZ	ISUZU	
	35	Rated output/r.p.m.		Kw	55.4/2200-2300	
	36	Rated torque/r.p.m.		N.m	390/1300	
	37	No. of cylinder			4	
	38	Bore×Stroke		mm	98×120	
	39	Displacement		L	3.6	
	40	Battery	Voltage/Capacity		V/Ah	2*12/80
41	Operating pressure		Mpa	20		



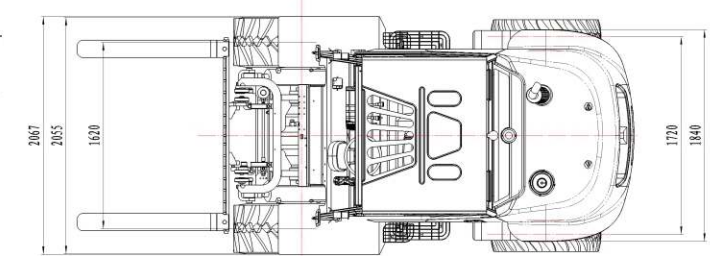
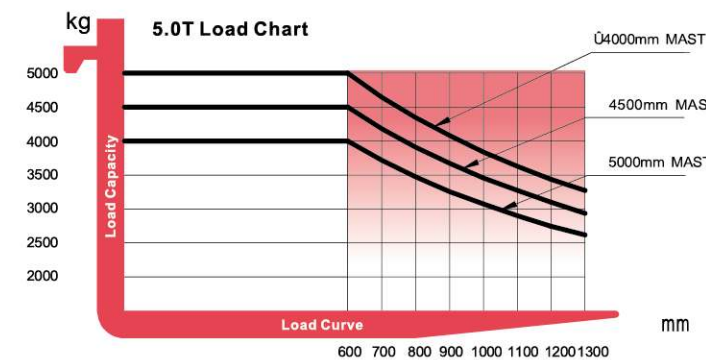
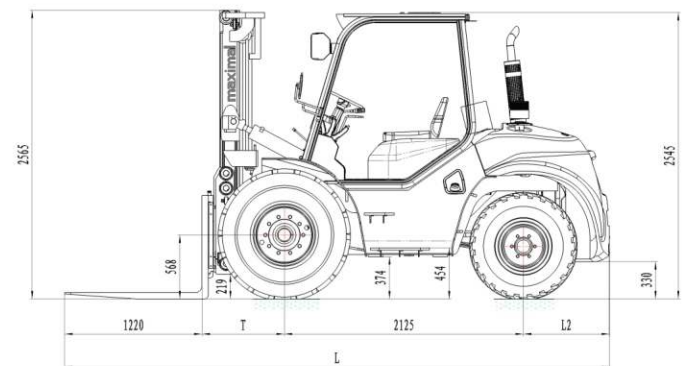
LGS maximal

ul. Towarowa 18, 62-052 Komorniki / Poznania

+48 61 66 46 900

info@lgsmaximal.pl

Type	Model	Max. fork height	Overall height Lowered	Free lift		Front Overhang	Tilt range		Capacity	
				With backrest	Without backrest		5.0T	FWD	BWD	capacity at max. height
				mm	mm	mm	mm	mm	Deg	Deg
wide view 2-stage mast	M330	3300	2715	145	145	732	15	15	5000	4700
	M350	3500	2815	145	145	732	15	15	5000	4700
	M370	3700	2915	145	145	732	15	15	5000	4700
	M400	4000	3115	145	145	732	15	15	5000	4700
	M450	4500	3365	145	145	732	15	15	4500	4050
Full free 3-stage mast	M500	5000	3615	145	145	732	15	15	4000	3600
	TFM400	4000	2560	1000	1350	765	15	15	5000	4500
	TFM435	4350	2685	1125	1475	765	15	15	4500	4050
	TFM450	4500	2736	1176	1526	765	15	15	4000	3600
	TFM470	4700	2802	1242	1592	765	15	15	3700	3350
	TFM500	5000	2935	1375	1725	765	10	15	3300	2950
TFM600	6000	3300	1740	2090	765	10	15	2000	1800	



Maximal Rough Terrain Forklift Introduction Engine

World renowned brands engine for superior performance.

MITSUBISHI S4S

Rated output 35.3kw/2250rpm >

Rated torque 182N.m/1800rpm >



YANMAR 4TNE98

Rated output 42.1kw/2300rpm >

Rated torque 196.3N.m/1700rpm >



ISUZU 6BG1QC

Rated output 82kw/2000rpm >

Rated torque 416N.m/1400-1600rpm >



MITSUBISHI D04EG

Rated output 36kw/2250rpm >

Rated torque 177N.m/1800rpm >



Floating System

A superior full floating overhead guard is installed with rubber damping instead of the traditional rigid design. This greatly reduces machine vibration and offers a smoother ride over rough terrain and reduces operator fatigue.



Wide-view Mast

Wide-view mast provides excellent through-the-mast visibility improving the work efficiency and allowing safe operation of the forklift.



High Quality Tyres

Industrial tyres with a wide footprint giving it greater stability and lift capacity in rough work environments.



High Ground Clearance

Offer greater maneuverability and keep the machine moving in the roughest of applications.



Tilting Overhead Guard (4WD)

Equipped as standard with a tilting overhead guard, to ensure easy access to major components for inspection and service.



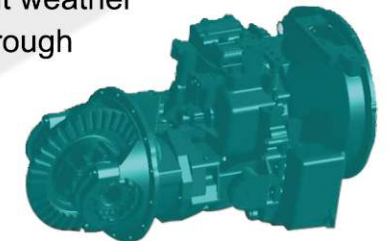
Upward Steering Cylinder (Compact 4WD)

Lay the steering cylinder upward to make the turning radius smaller and rear wheel steering angle bigger.



100% Differential Lock (2WD)

Power shift transmission with jaw type 100% differential lock provides ultimate traction during inclement weather conditions and rough operating surfaces.



BUILT FOR ROUGH TERRAIN

Maximal Rough Terrain
Forklift 1.8-5.0ton

2WD • Compact 4WD • 4WD



Adres: ul. Towarowa 18, 62-052 Komorniki k. Poznania

Tel.: (+48) 616 646 900

Email: info@lgsmaximal.pl



CE CERTIFICATE



ISO 14001:2004



ISO 9001:2000